



Optional U-Clamp



Note: RoHS applies only to SS internals

Description & Features:

- Liquid filled stainless steel case protects against vibration and pulsation
- Bayonet ring
- Highly accurate
- Back, bottom, or panel mounted
- Stainless steel or brass wetted parts
- Dry case available
- CRN registered
- 5 year warranty

Applications:

- Outdoor and severe ambient and process conditions
- Use where harmful vibration and pulsation are present
- Hydraulic equipment, pressure washers, oil field equipment, pumps, compressors and process systems

| Specifications | Stainless Steel Internals | Brass Internals |
|------------------------------------|---|---|
| Dial | 2.5" (63mm), 4" (100mm), 6" (150mm) white aluminum with black and red markings (4.5" (115mm) dials available upon request) | 4" (100mm) white aluminum with black and red markings (4.5" (115mm) dials available upon request) |
| Case | AISI 304 SS | AISI 304 SS |
| Lens | Polycarbonate | Polycarbonate |
| Ring | AISI 304 SS | AISI 304 SS |
| Socket | 316 SS 2.5", 4": Welded one-piece socket | OT 58 brass |
| Connection | 1/4" NPT or 1/2" NPT standard 2.5" (63mm): 1/4" NPT standard only (other thread types are available) | 1/4" NPT or 1/2" NPT standard (other thread types are available) |
| Bourdon Tube | 316 SS, drawn seamless | Phosphor bronze |
| Movement | 304 SS 4" (100mm): Over/under stops (optional) | OT 59 brass |
| Pointer | 2.5" (63mm): Aluminum, anodized black 4" (100mm), 6" (150mm): Aluminum, anodized black, micrometer adjustable | 4" (100mm) aluminum, anodized black, micrometer adjustable |
| Welding | TIG | Silver alloy |
| Fill Liquid | Glycerin | Glycerin |
| Over-Pressure Limit | 30% for pressures up to 600 psi (50 bar), 15% for pressures over 600 psi (50 bar) | 25% for pressures up to 1,400 psi (97 bar), 15% for pressures over 1,400 psi (97 bar) |
| Socket Gasket | 2.5" (63mm): Buna N for two-piece internal socket seal 6" (150mm): Buna N for one-piece external socket seal, Silicone rubber option | 6" (150mm): Buna N for one-piece external socket seal, Silicone rubber option |
| Fill Plug | Buna N (Silicone rubber option) | Buna N (Silicone rubber option) |
| Lens Ring Gasket | Buna N (Silicone rubber option) | Buna N (Silicone rubber option) |
| Working Pressure | Maximum 75% of full scale value | Maximum 75% of full scale value |
| Ambient/Process Temperature | Dry: -40°F to 200°F (-40°C to 93°C) Glycerin Filled: -4°F to 150°F (-20°C to 65°C) | Dry: -40°F to 200°F (-40°C to 93°C) Glycerin Filled: -4°F to 150°F (-20°C to 65°C) |
| Accuracy | 2.5" (63mm): ±1.5% of full scale value 4" (100mm), 6" (150mm): ±1% ANSI/ASME Grade 1A | 4" (100mm): ±1% ANSI/ASME Grade 1A |
| Enclosure Rating | IP66, EN60529-1 (IEC529-1) | IP66, EN60529-1 (IEC529-1) |

Order Codes

| Dial Size | 2.5" (63mm) | | 4" (100mm) | | | |
|--------------------------|-------------|----------------|--------------|--------------|----------------|--------------|
| | 1/4" Bottom | 1/4" Back (CB) | 1/4" Bottom | 1/2" Bottom | 1/4" Back (LB) | 1/2" Back |
| Movement Socket, Tube | SS | SS | Brass | Brass | Brass | Brass |
| 0/30" vac/-1-0 bar | PFP820R1R11 | PFP840R1R11 | PFP600R1R11 | PFP2284R1R11 | PFP1000R1R11 | PFP4969R1R11 |
| 30"/0/15 psi/-1-1 bar | PFP860R1R11 | PFP870R1R11 | PFP1020R1R11 | PFP2285R1R11 | PFP1028R1R11 | PFP4970R1R11 |
| 30"/0/30 psi/-1-2 bar | PFP861R1R11 | PFP871R1R11 | PFP1021R1R11 | PFP2286R1R11 | PFP1029R1R11 | PFP4971R1R11 |
| 30"/0/60 psi/-1-4 bar | PFP862R1R11 | PFP872R1R11 | PFP1022R1R11 | PFP2287R1R11 | PFP1030R1R11 | PFP4972R1R11 |
| 30"/0/100 psi/-1-7 bar | PFP863R1R11 | PFP873R1R11 | PFP1023R1R11 | PFP2288R1R11 | PFP1031R1R11 | PFP4973R1R11 |
| 30"/0/150 psi/-1-10 bar | PFP864R1R11 | PFP874R1R11 | PFP1024R1R11 | PFP2289R1R11 | PFP1032R1R11 | PFP4974R1R11 |
| 30"/0/200 psi/-1-14 bar | PFP866R1R11 | PFP876R1R11 | PFP1026R1R11 | PFP2290R1R11 | PFP1034R1R11 | PFP4975R1R11 |
| 30"/0/300 psi/-1-20 bar | PFP867R1R11 | PFP877R1R11 | PFP1027R1R11 | PFP2291R1R11 | PFP1035R1R11 | PFP4976R1R11 |
| 0-15 psi/0-1 bar | PFP821R1R11 | PFP921R1R11 | PFP601R1R11 | PFP2292R1R11 | PFP1001R1R11 | PFP4977R1R11 |
| 0-30 psi/0-2 bar | PFP822R1R11 | PFP922R1R11 | PFP602R1R11 | PFP2293R1R11 | PFP1002R1R11 | PFP4978R1R11 |
| 0-60 psi/0-4 bar | PFP823R1R11 | PFP923R1R11 | PFP603R1R11 | PFP2294R1R11 | PFP1003R1R11 | PFP4979R1R11 |
| 0-100 psi/0-7 bar | PFP824R1R11 | PFP924R1R11 | PFP604R1R11 | PFP2295R1R11 | PFP1004R1R11 | PFP4980R1R11 |
| 0-160 psi/0-11 bar | PFP825R1R11 | PFP925R1R11 | PFP605R1R11 | PFP2296R1R11 | PFP1005R1R11 | PFP4981R1R11 |
| 0-200 psi/0-14 bar | PFP826R1R11 | PFP926R1R11 | PFP606R1R11 | PFP2297R1R11 | PFP1006R1R11 | PFP4982R1R11 |
| 0-300 psi/0-20 bar | PFP827R1R11 | PFP927R1R11 | PFP607R1R11 | PFP2298R1R11 | PFP1007R1R11 | PFP4983R1R11 |
| 0-400 psi/0-28 bar | PFP880R1R11 | PFP881R1R11 | PFP610R1R11 | PFP2299R1R11 | PFP1016R1R11 | PFP4984R1R11 |
| 0-600 psi/0-40 bar | PFP828R1R11 | PFP928R1R11 | PFP608R1R11 | PFP2300R1R11 | PFP1008R1R11 | PFP4985R1R11 |
| 0-1,000 psi/0-70 bar | PFP829R1R11 | PFP929R1R11 | PFP609R1R11 | PFP624R1R11 | - | PFP1009R1R11 |
| 0-1,500 psi/0-100 bar | PFP834R1R11 | PFP934R1R11 | - | PFP625R1R11 | - | PFP1010R1R11 |
| 0-2,000 psi/0-140 bar | PFP830R1R11 | PFP930R1R11 | - | PFP626R1R11 | - | PFP1011R1R11 |
| 0-3,000 psi/0-200 bar | PFP831R1R11 | PFP931R1R11 | - | PFP627R1R11 | - | PFP1012R1R11 |
| 0-5,000 psi/0-350 bar | PFP832R1R11 | PFP852R1R11 | - | PFP628R1R11 | - | PFP1013R1R11 |
| 0-6,000 psi/0-400 bar | PFP836R1R11 | PFP851R1R11 | - | PFP631R1R11 | - | PFP1015R1R11 |
| 0-10,000 psi/0-700 bar | PFP833R1R11 | PFP853R1R11 | - | PFP629R1R11 | - | PFP1014R1R11 |
| 0-15,000 psi/0-1,000 bar | PFP835R1R11 | PFP855R1R11 | - | PFP630R1R11 | - | PFP1018R1R11 |
| 0-20,000 psi/0-1,400 bar | - | - | - | PFP639R1R11 | - | PFP1019R1R11 |

4.5" (115mm) dials available upon request. Other ranges, connection sizes and thread types are available upon request. 316 SS case and mountable bezel available upon request. For other ranges and units, refer to How to Order Guide for scale codes on page 8. **For options, attach suffix to end of order code: i.e. PFP929R1R11-25UC for U-CLAMP.**

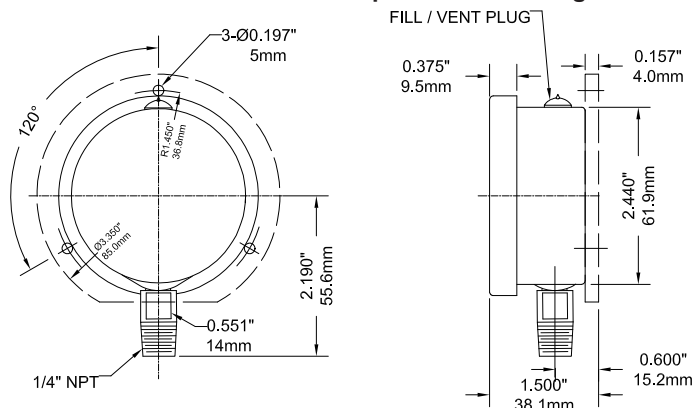
Option suffix:

25BF = 2.5" (63mm) Back Flange
 25FF = 2.5" (63mm) Front Flange
 25UC = 2.5" (63mm) U-Clamp
 25DRY = Supply 2.5" gauge less liquid fill
 2.5 BOOT = 2.5" (63mm) black rubber boot

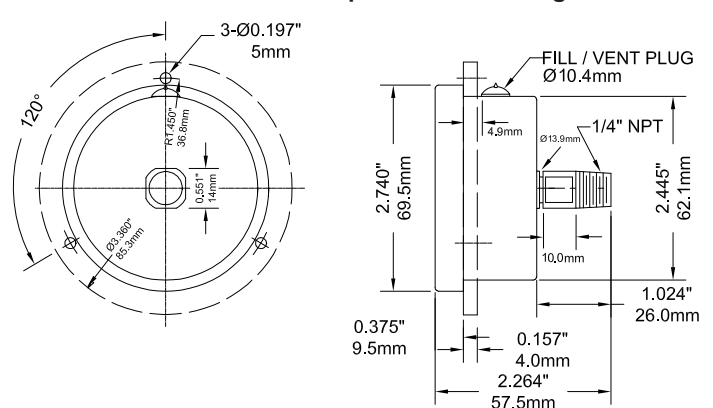
4BF = 4" (100mm) Back Flange
 4FF = 4" (100mm) Front Flange
 4UC-P = 4" (100mm) Premium U-Clamp
 DRY = Supply 4" gauge less liquid fill

SF25 = Silicone Filled for 2.5"
 SF4 = Silicone Filled for 4"
 SG-25 = Safety Glass 2.5"
 SG-4 = Safety Glass Lens 4"
 REST = Restrictor Screw

2.5" Bottom Connection with optional Back Flange



2.5" Back Connection with optional Front Flange



Order Codes

| Dial Size | 4" (100mm) | | | | 6" (150mm) | | | |
|--------------------------|--------------|--------------|----------------|----------------|--------------|----------------|--------------|----------------|
| | 1/4" Bottom | 1/2" Bottom | 1/4" Back (LB) | 1/2" Back (LB) | 1/4" Bottom | 1/4" Back (LB) | 1/2" Bottom | 1/2" Back (LB) |
| Movement, Socket, Tube | SS | SS | SS | SS | SS | SS | SS | SS |
| 0/30" vac/-1-0 bar | PFP640R1R11 | PFP655R1R11 | PFP1090R1R11 | PFP2308R1R11 | PFP1078R1R11 | PFP1168R1R11 | PFP2326R1R11 | PFP4728R1R11 |
| 30"/0/15 psi/-1-1 bar | PFP1036R1R11 | PFP1044R1R11 | PFP1244R1R11 | PFP2309R1R11 | PFP1079R1R11 | - | PFP2327R1R11 | PFP4729R1R11 |
| 30"/0/30 psi/-1-2 bar | PFP1037R1R11 | PFP1045R1R11 | PFP1245R1R11 | PFP2310R1R11 | PFP1052R1R11 | - | PFP2328R1R11 | PFP4730R1R11 |
| 30"/0/60 psi/-1-4 bar | PFP1038R1R11 | PFP1046R1R11 | PFP1246R1R11 | PFP2311R1R11 | PFP1053R1R11 | - | PFP2329R1R11 | PFP4731R1R11 |
| 30"/0/100 psi/-1-7 bar | PFP1039R1R11 | PFP1047R1R11 | PFP1247R1R11 | PFP2312R1R11 | PFP1054R1R11 | - | PFP2330R1R11 | PFP4732R1R11 |
| 30"/0/150 psi/-1-10 bar | PFP1040R1R11 | PFP1048R1R11 | PFP1248R1R11 | PFP2313R1R11 | PFP1055R1R11 | - | PFP2331R1R11 | PFP4733R1R11 |
| 30"/0/200 psi/-1-14 bar | PFP1042R1R11 | PFP1050R1R11 | PFP1249R1R11 | PFP2314R1R11 | PFP1057R1R11 | - | PFP2332R1R11 | PFP4734R1R11 |
| 30"/0/300 psi/-1-20 bar | PFP1043R1R11 | PFP1051R1R11 | PFP1250R1R11 | PFP2315R1R11 | PFP1058R1R11 | - | PFP2333R1R11 | PFP4735R1R11 |
| 0-15 psi/0-1 bar | PFP641R1R11 | PFP656R1R11 | PFP1091R1R11 | PFP2316R1R11 | PFP1059R1R11 | PFP1159R1R11 | PFP2334R1R11 | PFP4736R1R11 |
| 0-30 psi/0-2 bar | PFP642R1R11 | PFP657R1R11 | PFP1092R1R11 | PFP2317R1R11 | PFP1060R1R11 | PFP1160R1R11 | PFP2335R1R11 | PFP4737R1R11 |
| 0-60 psi/0-4 bar | PFP643R1R11 | PFP658R1R11 | PFP1093R1R11 | PFP2318R1R11 | PFP1061R1R11 | PFP1161R1R11 | PFP2336R1R11 | PFP4738R1R11 |
| 0-100 psi/0-7 bar | PFP644R1R11 | PFP659R1R11 | PFP1094R1R11 | PFP2319R1R11 | PFP1062R1R11 | PFP1162R1R11 | PFP2337R1R11 | PFP4739R1R11 |
| 0-160 psi/0-11 bar | PFP645R1R11 | PFP660R1R11 | PFP1095R1R11 | PFP2320R1R11 | PFP1063R1R11 | PFP1163R1R11 | PFP2338R1R11 | PFP4740R1R11 |
| 0-200 psi/0-14 bar | PFP646R1R11 | PFP661R1R11 | PFP1096R1R11 | PFP2321R1R11 | PFP1064R1R11 | PFP1164R1R11 | PFP2339R1R11 | PFP4741R1R11 |
| 0-300 psi/0-20 bar | PFP647R1R11 | PFP662R1R11 | PFP1097R1R11 | PFP2322R1R11 | PFP1065R1R11 | PFP1165R1R11 | PFP2340R1R11 | PFP4742R1R11 |
| 0-400 psi/0-28 bar | PFP650R1R11 | PFP666R1R11 | PFP1251R1R11 | PFP2323R1R11 | PFP1077R1R11 | - | PFP2341R1R11 | PFP4743R1R11 |
| 0-600 psi/0-40 bar | PFP648R1R11 | PFP663R1R11 | PFP1098R1R11 | PFP2324R1R11 | PFP1066R1R11 | PFP1166R1R11 | PFP2342R1R11 | PFP4744R1R11 |
| 0-1,000 psi/0-70 bar | PFP649R1R11 | PFP664R1R11 | PFP1099R1R11 | PFP2325R1R11 | PFP1067R1R11 | PFP1167R1R11 | PFP2340R1R11 | PFP4745R1R11 |
| 0-1,500 psi/0-100 bar | PFP2301R1R11 | PFP665R1R11 | PFP1252R1R11 | PFP1190R1R11 | PFP1068R1R11 | - | PFP1081R1R11 | PFP1169R1R11 |
| 0-2,000 psi/0-140 bar | PFP2302R1R11 | PFP667R1R11 | PFP1253R1R11 | PFP1191R1R11 | PFP1069R1R11 | - | PFP1082R1R11 | PFP1170R1R11 |
| 0-3,000 psi/0-200 bar | PFP2303R1R11 | PFP668R1R11 | PFP1254R1R11 | PFP1192R1R11 | PFP1070R1R11 | - | PFP1083R1R11 | PFP1171R1R11 |
| 0-5,000 psi/0-350 bar | PFP2304R1R11 | PFP669R1R11 | PFP1255R1R11 | PFP1193R1R11 | PFP1072R1R11 | - | PFP1085R1R11 | PFP1172R1R11 |
| 0-6,000 psi/0-400 bar | PFP2305R1R11 | PFP675R1R11 | PFP1259R1R11 | PFP1197R1R11 | PFP4936R1RR | - | PFP1089R1R11 | PFP1176R1R11 |
| 0-10,000 psi/0-700 bar | PFP2306R1R11 | PFP670R1R11 | PFP1256R1R11 | PFP1194R1R11 | PFP1073R1R11 | - | PFP1086R1R11 | PFP1173R1R11 |
| 0-15,000 psi/0-1,000 bar | PFP2307R1R11 | PFP671R1R11 | PFP1257R1R11 | PFP1195R1R11 | PFP1074R1R11 | - | PFP1087R1R11 | PFP1174R1R11 |
| 0-20,000 psi/0-1,400 bar | - | PFP672R1R11 | PFP1258R1R11 | PFP1196R1R11 | PFP1075R1R11 | - | PFP1088R1R11 | PFP1175R1R11 |

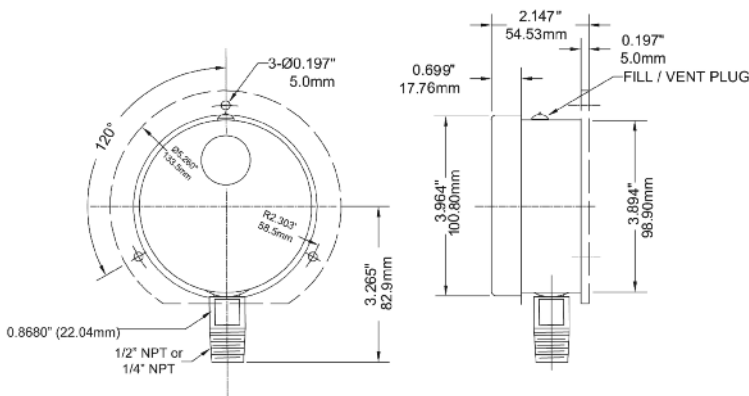
4.5" (115mm) dials available upon request. Other ranges, connection sizes and thread types are available upon request. For other ranges and units, refer to How to Order Guide for scale codes on page 8. **For options, attach suffix to end of order code: i.e. PFP1064R1R11-SC for SAFETY CASE.**

Option suffix:

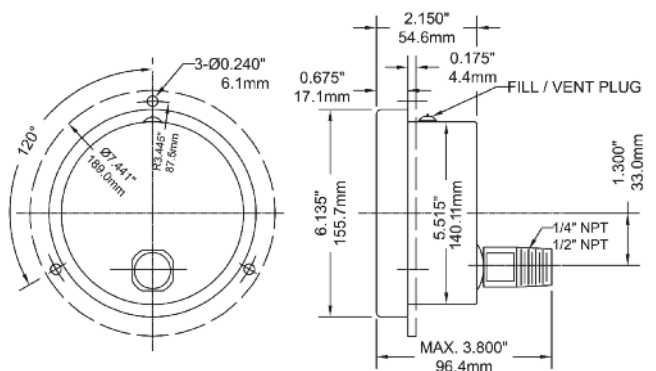
6BF = 6" (150mm) Back Flange
 6FF = 6" (150mm) Front Flange
 6UC = 6" (150mm) U-Clamp
 Dry = supply above gauge less liquid fill

REST = Restrictor Screw
 SC = Safety Case (6" bottom connection)
 SG-6 = Safety Glass Lens 6"
 SF6 = Silicone Filled for 6"

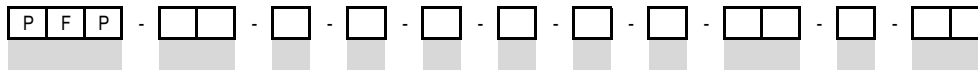
4" Bottom Connection, Back Flange Option



6" Back Connection with Front Flange



Series Number (for custom, non-standard product)



SERES

DAL SIZE

| | | |
|--------------|---|---|
| 2.5" (63mm) | 2 | 5 |
| 4.0" (100mm) | 4 | 0 |
| 4.5" (115mm) | 4 | 5 |
| 6.0" (150mm) | 6 | 0 |

CASE MATERIALS

| | |
|-------|---|
| 304SS | T |
| 316SS | S |

WETTED PARTS

| | |
|---------|---|
| Brass | B |
| 316SS | S |
| Monel | M |
| Special | Z |

CONFGRATON

| | |
|--|---|
| Bottom Connection, Stem Mounting | A |
| Bottom Connection, Back Flange, Surface Mounting | B |
| Bottom Connection, Front Flange, Surface Mounting | C |
| Back Connection, Stem Mounting | D |
| Back Connection, Back Flange, Surface Mounting | E |
| Back Connection, Wide Front Flange, (Drilled) Panel Mounting | F |
| Back Connection, Narrow Front Ring, Panel Mounting (Yoke) | V |
| Special | Z |

CONNECTON SIZE

| | |
|---------|---|
| 1/8" | 8 |
| 1/4" | 4 |
| 1/2" | 2 |
| Special | Z |

THREAD

| | |
|-----------|---|
| NPT | N |
| BSP (G) | B |
| BSPT (R) | T |
| M14 x 1.5 | F |
| M20 x 1.5 | M |
| Special | Z |

PRIMARY SCALE

NTS - See Page □

RANGE - See Page □

SECNDARY SCALE

NTS - See Page □

OPTONS

| | | |
|----------------------------|---|---|
| Black Rubber Boot | S | Z |
| Fluorolube Filled | S | R |
| Glycerin Filled | S | E |
| Halocarbon Filled | S | Q |
| Maximum Adjustable Pointer | S | □ |
| NACE-MR0175-2002 | S | 5 |
| Oxygen Cleaning | S | L |
| Silicone Filled | S | D |
| Safety Glass | S | A |
| Stainless Steel Tag Plate | S | M |
| Stabilizer Movement | S | 3 |
| Test Certificate | S | □ |
| U-Clamp | S | H |
| No options | X | X |