



1. Optional U-Clamp
2. Optional Front Flange

Description & Features:

- Pulsation resistant, liquid filled stainless steel case
- Glycerin filled standard
- Brass and stainless steel internals
- Restricted orifice
- Crimp-On bezel
- Dual scale (psi/bar)
- Optional U-Clamps and front flanges
- Dry case available
- CRN registered
- 5 year warranty

Applications:

- Ideal for pumps, compressors, hydraulic presses, machinery, pneumatic equipment and motors in harsh environments

Specifications

Dial	1.5" (40mm), 2" (50mm), 2.5" (63mm), 4" (100mm), white aluminum with black and red markings
Case	AISI 304 SS
Lens	1.5" & 2" (Acrylic) 2.5 & 4" (Polycarbonate)
Ring	AISI 304 SS, Crimp-On
Socket	OT 58 brass or AISI 316 SS
Connection	1/8", 1/4" NPT or 1/2" NPT standard with restricted orifice (other thread types are available)
Fill Liquid	Glycerin
Bourdon Tube	1.5" (40mm), 2" (50mm): Phosphor bronze C or coil shaped for brass socket SS C or coil shaped for 316 SS socket 2.5" (63mm), 4" (100mm): Phosphor bronze C or coil shaped for brass socket AISI 316 SS C or coil shaped for 316 SS socket
Movement	OT 59 brass or SS
Pointer	Aluminum, anodized black
Welding	Tin/copper alloy for pressures below 600 psi (40 bar), 316 SS TIG Argon arc for pressures 600 psi (40 bar) and above
Over-Pressure Limit	25% for pressures up to 1,400 psi (97 bar), 15% for pressures over 1,400 psi (97 bar)
Socket Gasket	Buna N for two-piece internal socket seal
Fill Plug	Buna N
Lens Ring Gasket	Silicone rubber
Working Pressure	Maximum 75% of full scale value
Ambient/Process Temperature	Dry: -40°F to 200°F (-40°C to 93°C) Glycerin Filled: -4°F to 150°F (-20°C to 65°C)
Accuracy	1.5" (40mm), 2" (50mm): ±2.5% of full scale value 2.5" (63mm), 4" (100mm): ±1.5% of full scale value
Enclosure Rating	IP65

Order Codes

Dial Size	1.5" (40mm)			
Connection	1/8" NPT Bottom	1/8" NPT Back (CB)	1/8" NPT Bottom	1/8" NPT Back (CB)
Movement Socket, Tube	Brass	Brass	SS	SS
0/30" vac/-1-0 bar	PFQ4746R1R11	PFQ4760R1R11	PFQ1200R1R11	PFQ1220R1R11
30"/0/15 psi/-1-1 bar	PFQ4747R1R11	PFQ4761R1R11	PFQ4774R1R11	PFQ4786R1R11
30"/0/30 psi/-1-2 bar	PFQ4748R1R11	PFQ4762R1R11	PFQ4775R1R11	PFQ4787R1R11
30"/0/60 psi/-1-4 bar	PFQ4749R1R11	PFQ4763R1R11	PFQ4776R1R11	PFQ4788R1R11
30"/0/100 psi/-1-7 bar	PFQ4750R1R11	PFQ4764R1R11	PFQ4777R1R11	PFQ4789R1R11
30"/0/150 psi/-1-10 bar	PFQ4751R1R11	PFQ4765R1R11	PFQ4778R1R11	PFQ4790R1R11
30"/0/200 psi/-1-14 bar	PFQ4752R1R11	PFQ4766R1R11	PFQ4779R1R11	PFQ4791R1R11
30"/0/300 psi/-1-20 bar	PFQ4753R1R11	PFQ4767R1R11	PFQ4780R1R11	PFQ4792R1R11
0-15 psi/0-1 bar	PFQ4754R1R11	PFQ4768R1R11	PFQ1201R1R11	PFQ1221R1R11
0-30 psi/0-2 bar	PFQ1102R1R11	PFQ1122R1R11	PFQ1202R1R11	PFQ1222R1R11
0-60 psi/0-4 bar	PFQ1103R1R11	PFQ1123R1R11	PFQ1203R1R11	PFQ1223R1R11
0-100 psi/0-7 bar	PFQ1104R1R11	PFQ1124R1R11	PFQ1204R1R11	PFQ1224R1R11
0-160 psi/0-11 bar	PFQ1105R1R11	PFQ1125R1R11	PFQ1205R1R11	PFQ1225R1R11
0-200 psi/0-14 bar	PFQ1106R1R11	PFQ1126R1R11	PFQ1206R1R11	PFQ1226R1R11
0-300 psi/0-20 bar	PFQ1107R1R11	PFQ1127R1R11	PFQ1207R1R11	PFQ1227R1R11
0-400 psi/0-28 bar	PFQ4755R1R11	PFQ4769R1R11	PFQ4781R1R11	PFQ4793R1R11
0-600 psi/0-40 bar	PFQ1108R1R11	PFQ1128R1R11	PFQ1208R1R11	PFQ1228R1R11
0-1,000 psi/0-70 bar	PFQ1109R1R11	PFQ1129R1R11	PFQ1209R1R11	PFQ1229R1R11
0-1,500 psi/0-100 bar	PFQ1110R1R11	PFQ1130R1R11	PFQ1210R1R11	PFQ1230R1R11
0-2,000 psi/0-140 bar	PFQ1111R1R11	PFQ1131R1R11	PFQ1211R1R11	PFQ1231R1R11
0-3,000 psi/0-200 bar	PFQ1112R1R11	PFQ1132R1R11	PFQ1212R1R11	PFQ1232R1R11
0-5,000 psi/0-350 bar	PFQ1113R1R11	PFQ1133R1R11	PFQ1213R1R11	PFQ1233R1R11
0-6,000 psi/0-400 bar	PFQ4756R1R11	PFQ4770R1R11	PFQ4782R1R11	PFQ4794R1R11
0-7,500 psi/0-500 bar	PFQ4757R1R11	PFQ4771R1R11	PFQ4783R1R11	PFQ4795R1R11
0-10,000 psi/0-700 bar	PFQ4758R1R11	PFQ4772R1R11	PFQ4784R1R11	PFQ4796R1R11
0-15,000 psi/0-1,000 bar	PFQ4759R1R11	PFQ4773R1R11	PFQ4785R1R11	PFQ4797R1R11

Other ranges, connection sizes and thread types are available upon request. For other ranges and units, refer to How to Order Guide for scale codes on page 8. 1.5" (40mm) gauges are available dry (non-liquid filled) only on a special order basis. **For options, attach suffix to end of order code: i.e. PFQ1102R1R11-DRY for DRY CASE.**

Option suffix:

15UC = 1.5" U-Clamp

Dry = supply above gauge less liquid fill

Order Codes

Dial Size	2" (50mm)							
Connection	1/8" NPT Bottom	1/8" NPT Back (CB)	1/8" NPT Bottom	1/8" NPT Back (CB)	1/4" NPT Bottom	1/4" NPT Back (CB)	1/4" NPT Bottom	1/4" NPT Back (CB)
Movement Socket, Tube	Brass	Brass	SS	SS	Brass	Brass	SS	SS
0/30" vac/-1-0 bar	PFQ2400R1R11	PFQ2426R1R11	PFQ2248R1R11	PFQ2309R1R11	PFQ2452R1R11	PFQ2478R1R11	PFQ2247R1R11	PFQ2246R1R11
30"/0/15 psi/-1-1 bar	PFQ2401R1R11	PFQ2427R1R11	PFQ2295R1R11	PFQ2310R1R11	PFQ2453R1R11	PFQ2479R1R11	PFQ2271R1R11	PFQ2282R1R11
30"/0/30 psi/-1-2 bar	PFQ2402R1R11	PFQ2428R1R11	PFQ2241R1R11	PFQ2311R1R11	PFQ2454R1R11	PFQ2480R1R11	PFQ2272R1R11	PFQ2283R1R11
30"/0/60 psi/-1-4 bar	PFQ2403R1R11	PFQ2429R1R11	PFQ2296R1R11	PFQ2312R1R11	PFQ2455R1R11	PFQ2481R1R11	PFQ2273R1R11	PFQ2242R1R11
30"/0/100 psi/-1-7 bar	PFQ2404R1R11	PFQ2430R1R11	PFQ2297R1R11	PFQ2313R1R11	PFQ2456R1R11	PFQ2482R1R11	PFQ2274R1R11	PFQ2284R1R11
30"/0/150 psi/-1-10 bar	PFQ2405R1R11	PFQ2431R1R11	PFQ2298R1R11	PFQ2314R1R11	PFQ2457R1R11	PFQ2483R1R11	PFQ2275R1R11	PFQ2285R1R11
30"/0/200 psi/-1-14 bar	PFQ2406R1R11	PFQ2432R1R11	PFQ2299R1R11	PFQ2315R1R11	PFQ2458R1R11	PFQ2484R1R11	PFQ2276R1R11	PFQ2286R1R11
30"/0/300 psi/-1-20 bar	PFQ2407R1R11	PFQ2433R1R11	PFQ2300R1R11	PFQ2316R1R11	PFQ2459R1R11	PFQ2485R1R11	PFQ2277R1R11	PFQ2287R1R11
0-15 psi/0-1 bar	PFQ2408R1R11	PFQ2434R1R11	PFQ2218R1R11	PFQ2217R1R11	PFQ2460R1R11	PFQ2486R1R11	PFQ2215R1R11	PFQ2214R1R11
0-30 psi/0-2 bar	PFQ2409R1R11	PFQ2435R1R11	PFQ2253R1R11	PFQ2252R1R11	PFQ2461R1R11	PFQ2487R1R11	PFQ2250R1R11	PFQ2249R1R11
0-60 psi/0-4 bar	PFQ2410R1R11	PFQ2436R1R11	PFQ2270R1R11	PFQ2269R1R11	PFQ2462R1R11	PFQ2488R1R11	PFQ2266R1R11	PFQ2265R1R11
0-100 psi/0-7 bar	PFQ2411R1R11	PFQ2437R1R11	PFQ2209R1R11	PFQ2208R1R11	PFQ2463R1R11	PFQ2489R1R11	PFQ2205R1R11	PFQ2204R1R11
0-160 psi/0-11 bar	PFQ2412R1R11	PFQ2438R1R11	PFQ2206R1R11	PFQ2207R1R11	PFQ2464R1R11	PFQ2490R1R11	PFQ2220R1R11	PFQ2219R1R11
0-200 psi/0-14 bar	PFQ2413R1R11	PFQ2439R1R11	PFQ2301R1R11	PFQ2295R1R11	PFQ2465R1R11	PFQ2491R1R11	PFQ2267R1R11	PFQ2268R1R11
0-300 psi/0-20 bar	PFQ2414R1R11	PFQ2440R1R11	PFQ2245R1R11	PFQ2318R1R11	PFQ2466R1R11	PFQ2492R1R11	PFQ2244R1R11	PFQ2243R1R11
0-400 psi/0-28 bar	PFQ2415R1R11	PFQ2441R1R11	PFQ2302R1R11	PFQ2319R1R11	PFQ2467R1R11	PFQ2493R1R11	PFQ2254R1R11	PFQ2288R1R11
0-600 psi/0-40 bar	PFQ2416R1R11	PFQ2442R1R11	PFQ2264R1R11	PFQ2320R1R11	PFQ2468R1R11	PFQ2494R1R11	PFQ2278R1R11	PFQ2289R1R11
0-1,000 psi/0-70 bar	PFQ2417R1R11	PFQ2443R1R11	PFQ2203R1R11	PFQ2321R1R11	PFQ2469R1R11	PFQ2495R1R11	PFQ2202R1R11	PFQ2201R1R11
0-1,500 psi/0-100 bar	PFQ2418R1R11	PFQ2444R1R11	PFQ2213R1R11	PFQ2322R1R11	PFQ2470R1R11	PFQ2496R1R11	PFQ2212R1R11	PFQ2211R1R11
0-2,000 psi/0-140 bar	PFQ2419R1R11	PFQ2445R1R11	PFQ2304R1R11	PFQ2323R1R11	PFQ2471R1R11	PFQ2497R1R11	PFQ2279R1R11	PFQ2290R1R11
0-3,000 psi/0-200 bar	PFQ2420R1R11	PFQ2446R1R11	PFQ2305R1R11	PFQ2324R1R11	PFQ2472R1R11	PFQ2498R1R11	PFQ2280R1R11	PFQ2291R1R11
0-5,000 psi/0-350 bar	PFQ2421R1R11	PFQ2447R1R11	PFQ2258R1R11	PFQ2257R1R11	PFQ2473R1R11	PFQ2499R1R11	PFQ2256R1R11	PFQ2255R1R11
0-6,000 psi/0-400 bar	PFQ2422R1R11	PFQ2448R1R11	PFQ2262R1R11	PFQ2261R1R11	PFQ2474R1R11	PFQ2500R1R11	PFQ2260R1R11	PFQ2259R1R11
0-7,500 psi/0-500 bar	PFQ2423R1R11	PFQ2449R1R11	PFQ2306R1R11	PFQ2325R1R11	PFQ2475R1R11	PFQ2501R1R11	PFQ2281R1R11	PFQ2292R1R11
0-10,000 psi/0-700 bar	PFQ2424R1R11	PFQ2450R1R11	PFQ2307R1R11	PFQ2326R1R11	PFQ2476R1R11	PFQ2502R1R11	PFQ2200R1R11	PFQ2293R1R11
0-15,000 psi/0-1,000 bar	PFQ2425R1R11	PFQ2451R1R11	PFQ2308R1R11	PFQ2327R1R11	PFQ2477R1R11	PFQ2503R1R11	PFQ2210R1R11	PFQ2294R1R11

Other ranges, connection sizes and thread types are available upon request. For other ranges and units, refer to How to Order Guide for scale codes on page 8. Front flange for 2" gauge is available. **For options, attach suffix to end of order code: i.e. PFQ2218R1R11-20UC for U-Clamp.**

Option suffix:

20UC = 2" (50mm) U-Clamp

Order Codes

Dial Size	2.5" (63mm)			
Connection	1/4" NPT Bottom	1/4" NPT Back (CB)	1/4" NPT Bottom	1/4" NPT Back (CB)
Movement Socket, Tube	Brass	Brass	SS	SS
0/30" vac/-1-0 bar	PFQ801R1R11	PFQ900R1R11	PFQ106R1R11	PFQ147R1R11
30"/0/15 psi/-1-1 bar	PFQ790R1R11	PFQ890R1R11	PFQ107R1R11	PFQ148R1R11
30"/0/30 psi/-1-2 bar	PFQ798R1R11	PFQ898R1R11	PFQ108R1R11	PFQ149R1R11
30"/0/60 psi/-1-4 bar	PFQ799R1R11	PFQ899R1R11	PFQ109R1R11	PFQ151R1R11
30"/0/100 psi/-1-7 bar	PFQ791R1R11	PFQ891R1R11	PFQ110R1R11	PFQ156R1R11
30"/0/150 psi/-1-10 bar	PFQ792R1R11	PFQ892R1R11	PFQ111R1R11	PFQ157R1R11
30"/0/200 psi/-1-14 bar	PFQ794R1R11	PFQ894R1R11	PFQ112R1R11	PFQ158R1R11
30"/0/300 psi/-1-20 bar	PFQ795R1R11	PFQ895R1R11	PFQ113R1R11	PFQ159R1R11
0-15 psi/0-1 bar	PFQ800R1R11	PFQ901R1R11	PFQ118R1R11	PFQ162R1R11
0-30 psi/0-2 bar	PFQ802R1R11	PFQ902R1R11	PFQ119R1R11	PFQ163R1R11
0-60 psi/0-4 bar	PFQ803R1R11	PFQ903R1R11	PFQ120R1R11	PFQ164R1R11
0-100 psi/0-7 bar	PFQ804R1R11	PFQ904R1R11	PFQ121R1R11	PFQ169R1R11
0-160 psi/0-11 bar	PFQ805R1R11	PFQ905R1R11	PFQ122R1R11	PFQ170R1R11
0-200 psi/0-14 bar	PFQ806R1R11	PFQ906R1R11	PFQ123R1R11	PFQ171R1R11
0-300 psi/0-20 bar	PFQ807R1R11	PFQ907R1R11	PFQ124R1R11	PFQ175R1R11
0-400 psi/0-28 bar	PFQ817R1R11	PFQ917R1R11	PFQ125R1R11	PFQ177R1R11
0-600 psi/0-40 bar	PFQ808R1R11	PFQ908R1R11	PFQ126R1R11	PFQ178R1R11
0-1,000 psi/0-70 bar	PFQ809R1R11	PFQ909R1R11	PFQ127R1R11	PFQ179R1R11
0-1,500 psi/0-100 bar	PFQ816R1R11	PFQ914R1R11	PFQ128R1R11	PFQ180R1R11
0-2,000 psi/0-140 bar	PFQ810R1R11	PFQ910R1R11	PFQ129R1R11	PFQ181R1R11
0-3,000 psi/0-200 bar	PFQ811R1R11	PFQ911R1R11	PFQ137R1R11	PFQ182R1R11
0-5,000 psi/0-350 bar	PFQ812R1R11	PFQ912R1R11	PFQ138R1R11	PFQ183R1R11
0-6,000 psi/0-400 bar	PFQ814R1R11	PFQ915R1R11	PFQ139R1R11	PFQ184R1R11
0-7,500 psi/0-500 bar	PFQ818R1R11	PFQ918R1R11	PFQ144R1R11	PFQ186R1R11
0-10,000 psi/0-700 bar	PFQ813R1R11	PFQ913R1R11	PFQ145R1R11	PFQ190R1R11
0-15,000 psi/0-1,000 bar	-	-	PFQ146R1R11	PFQ191R1R11

Other ranges, connection sizes and thread types are available upon request. For other ranges and units, refer to How to Order Guide for scale codes on page 8. **For options, attach suffix to end of order code: i.e. PFQ2218R1R11-DRY for DRY CASE.**

Option suffix:

- 25BF = 2.5" (63mm) Back Flange
- 25FF = 2.5" (63mm) Front Flange
- 25UC = 2.5" (63mm) U-Clamp
- 25DRY = Supply 2.5" gauge less liquid fill
- SF25 = Silicone fill

Order Codes

Dial Size	4" (100mm)							
Connection	1/4" NPT Bottom	1/4" NPT Back (CB)	1/4" NPT Bottom	1/4" NPT Back (CB)	1/2" NPT Bottom	1/2" NPT Back (CB)	1/2" NPT Bottom	1/2" NPT Back (CB)
Movement, Socket, Tube	Brass	Brass	SS	SS	Brass	Brass	SS	SS
0/30" vac/-1-0 bar	PFQ700R1R11	PFQ730R1R11	PFQ760R1R11	PFQ1260R1R11	PFQ1234R1R11	PFQ1285R1R11	PFQ1535R1R11	PFQ1559R1R11
30"/0/15 psi/-1-1 bar	PFQ701R1R11	PFQ731R1R11	PFQ761R1R11	PFQ1261R1R11	PFQ1235R1R11	PFQ1286R1R11	PFQ1536R1R11	PFQ1560R1R11
30"/0/30 psi/-1-2 bar	PFQ702R1R11	PFQ732R1R11	PFQ762R1R11	PFQ1262R1R11	PFQ1236R1R11	PFQ1287R1R11	PFQ1537R1R11	PFQ1561R1R11
30"/0/60 psi/-1-4 bar	PFQ703R1R11	PFQ733R1R11	PFQ763R1R11	PFQ1263R1R11	PFQ1237R1R11	PFQ1288R1R11	PFQ1538R1R11	PFQ1562R1R11
30"/0/100 psi/-1-7 bar	PFQ704R1R11	PFQ734R1R11	PFQ764R1R11	PFQ1264R1R11	PFQ1238R1R11	PFQ1289R1R11	PFQ1539R1R11	PFQ1563R1R11
30"/0/150 psi/-1-10 bar	PFQ705R1R11	PFQ735R1R11	PFQ765R1R11	PFQ1265R1R11	PFQ1239R1R11	PFQ1290R1R11	PFQ1540R1R11	PFQ1564R1R11
30"/0/200 psi/-1-14 bar	PFQ706R1R11	PFQ736R1R11	PFQ766R1R11	PFQ1266R1R11	PFQ1240R1R11	PFQ1291R1R11	PFQ1541R1R11	PFQ1565R1R11
30"/0/300 psi/-1-20 bar	PFQ707R1R11	PFQ737R1R11	PFQ767R1R11	PFQ1267R1R11	PFQ1241R1R11	PFQ1292R1R11	PFQ1542R1R11	PFQ1566R1R11
0-15 psi/0-1 bar	PFQ708R1R11	PFQ738R1R11	PFQ768R1R11	PFQ1268R1R11	PFQ1242R1R11	PFQ1293R1R11	PFQ1543R1R11	PFQ1567R1R11
0-30 psi/0-2 bar	PFQ709R1R11	PFQ739R1R11	PFQ769R1R11	PFQ1269R1R11	PFQ1243R1R11	PFQ1294R1R11	PFQ1544R1R11	PFQ1568R1R11
0-60 psi/0-4 bar	PFQ710R1R11	PFQ740R1R11	PFQ770R1R11	PFQ1270R1R11	PFQ1244R1R11	PFQ1295R1R11	PFQ1545R1R11	PFQ1569R1R11
0-100 psi/0-7 bar	PFQ711R1R11	PFQ741R1R11	PFQ771R1R11	PFQ1271R1R11	PFQ1245R1R11	PFQ1296R1R11	PFQ1546R1R11	PFQ1570R1R11
0-160 psi/0-11 bar	PFQ712R1R11	PFQ742R1R11	PFQ772R1R11	PFQ1272R1R11	PFQ1246R1R11	PFQ1298R1R11	PFQ1547R1R11	PFQ1571R1R11
0-200 psi/0-14 bar	PFQ713R1R11	PFQ743R1R11	PFQ773R1R11	PFQ1273R1R11	PFQ1247R1R11	PFQ1524R1R11	PFQ1548R1R11	PFQ1572R1R11
0-300 psi/0-20 bar	PFQ714R1R11	PFQ744R1R11	PFQ774R1R11	PFQ1274R1R11	PFQ1248R1R11	PFQ1525R1R11	PFQ1549R1R11	PFQ1573R1R11
0-400 psi/0-28 bar	PFQ715R1R11	PFQ745R1R11	PFQ775R1R11	PFQ1275R1R11	PFQ1249R1R11	PFQ1526R1R11	PFQ1550R1R11	PFQ1574R1R11
0-600 psi/0-40 bar	PFQ716R1R11	PFQ746R1R11	PFQ776R1R11	PFQ1276R1R11	PFQ1250R1R11	PFQ1527R1R11	PFQ1551R1R11	PFQ1575R1R11
0-1,000 psi/0-70 bar	PFQ724R1R11	PFQ192R1R11	PFQ1528R1R11	PFQ1552R1R11	PFQ717R1R11	PFQ747R1R11	PFQ777R1R11	PFQ1277R1R11
0-1,500 psi/0-100 bar	PFQ725R1R11	PFQ241R1R11	PFQ1529R1R11	PFQ1553R1R11	PFQ718R1R11	PFQ748R1R11	PFQ778R1R11	PFQ1278R1R11
0-2,000 psi/0-140 bar	PFQ726R1R11	PFQ242R1R11	PFQ1530R1R11	PFQ1554R1R11	PFQ719R1R11	PFQ749R1R11	PFQ779R1R11	PFQ1279R1R11
0-3,000 psi/0-200 bar	PFQ727R1R11	PFQ243R1R11	PFQ1531R1R11	PFQ1555R1R11	PFQ720R1R11	PFQ750R1R11	PFQ780R1R11	PFQ1280R1R11
0-5,000 psi/0-350 bar	PFQ728R1R11	PFQ244R1R11	PFQ1532R1R11	PFQ1556R1R11	PFQ721R1R11	PFQ751R1R11	PFQ781R1R11	PFQ1281R1R11
0-6,000 psi/0-400 bar	PFQ4798R1R11	PFQ246R1R11	PFQ4801R1R11	PFQ4803R1R11	PFQ784R1R11	PFQ785R1R11	PFQ789R1R11	PFQ1284R1R11
0-7,500 psi/0-500 bar	PFQ4799R1R11	PFQ247R1R11	PFQ4802R1R11	PFQ4804R1R11	PFQ4805R1R11	PFQ4806R1R11	PFQ4807R1R11	PFQ4808R1R11
0-10,000 psi/0-700 bar	PFQ729R1R11	PFQ360R1R11	PFQ1533R1R11	PFQ1557R1R11	PFQ722R1R11	PFQ752R1R11	PFQ782R1R11	PFQ1282R1R11
0-15,000 psi/0-1,000 bar	PFQ4800R1R11	PFQ361R1R11	PFQ1534R1R11	PFQ1558R1R11	PFQ723R1R11	PFQ753R1R11	PFQ783R1R11	PFQ1283R1R11

Other ranges, connection sizes and thread types are available upon request. For other ranges and units, refer to How to Order Guide for scale codes on page 8. **For options, attach suffix to end of order code: i.e. PFQ728R1R11-4BF for Back Flange.**

Option suffix:

4BF = 4" (100mm) Back Flange
4FF = 4" (100mm) Front Flange

4UC-P = 4" (100mm) U-Clamp
4UC-Q = 4" (100mm) U-Clamp

DRY = Supply 4" gauge less liquid fill
SF4 = Silicone fill

Order Codes

Dial Size	2.5" (63mm)				4" (100mm)	
Connection	1/4" BSP(G) Bottom	1/4" BSP(G) Back (CB)	1/4" BSP(G) Bottom	1/4" BSP(G) Back (CB)	1/4" BSP(G) Bottom	1/4" BSP(G) Back (CB)
Movement Socket, Tube	Brass	Brass	SS	SS	Brass	Brass
0/30"vac/-1-0 bar	PFQ801R1R11T1	PFQ900R1R11T1	PFQ106R1R11T1	PFQ147R1R11T1	PFQ700R1R11T1	PFQ730R1R11T1
30"/0/15 psi/-1-1 bar	PFQ790R1R11T1	PFQ890R1R11T1	PFQ107R1R11T1	PFQ148R1R11T1	PFQ701R1R11T1	PFQ731R1R11T1
30"/0/30 psi/-1-2 bar	PFQ798R1R11T1	PFQ898R1R11T1	PFQ108R1R11T1	PFQ149R1R11T1	PFQ702R1R11T1	PFQ732R1R11T1
30"/0/60 psi/-1-4 bar	PFQ799R1R11T1	PFQ899R1R11T1	PFQ109R1R11T1	PFQ151R1R11T1	PFQ703R1R11T1	PFQ733R1R11T1
30"/0/100 psi/-1-7 bar	PFQ791R1R11T1	PFQ891R1R11T1	PFQ110R1R11T1	PFQ156R1R11T1	PFQ704R1R11T1	PFQ734R1R11T1
30"/0/150 psi/-1-10 bar	PFQ792R1R11T1	PFQ892R1R11T1	PFQ111R1R11T1	PFQ157R1R11T1	PFQ705R1R11T1	PFQ735R1R11T1
30"/0/200 psi/-1-14 bar	PFQ794R1R11T1	PFQ894R1R11T1	PFQ112R1R11T1	PFQ158R1R11T1	PFQ706R1R11T1	PFQ736R1R11T1
30"/0/300 psi/-1-20 bar	PFQ795R1R11T1	PFQ895R1R11T1	PFQ113R1R11T1	PFQ159R1R11T1	PFQ707R1R11T1	PFQ737R1R11T1
0-15 psi/0-1 bar	PFQ800R1R11T1	PFQ901R1R11T1	PFQ118R1R11T1	PFQ162R1R11T1	PFQ708R1R11T1	PFQ738R1R11T1
0-30 psi/0-2 bar	PFQ802R1R11T1	PFQ902R1R11T1	PFQ119R1R11T1	PFQ163R1R11T1	PFQ709R1R11T1	PFQ739R1R11T1
0-60 psi/0-4 bar	PFQ803R1R11T1	PFQ903R1R11T1	PFQ120R1R11T1	PFQ164R1R11T1	PFQ710R1R11T1	PFQ740R1R11T1
0-100 psi/0-7 bar	PFQ804R1R11T1	PFQ904R1R11T1	PFQ121R1R11T1	PFQ169R1R11T1	PFQ711R1R11T1	PFQ741R1R11T1
0-160 psi/0-11 bar	PFQ805R1R11T1	PFQ905R1R11T1	PFQ122R1R11T1	PFQ170R1R11T1	PFQ712R1R11T1	PFQ742R1R11T1
0-200 psi/0-14 bar	PFQ806R1R11T1	PFQ906R1R11T1	PFQ123R1R11T1	PFQ171R1R11T1	PFQ713R1R11T1	PFQ743R1R11T1
0-300 psi/0-20 bar	PFQ807R1R11T1	PFQ907R1R11T1	PFQ124R1R11T1	PFQ175R1R11T1	PFQ714R1R11T1	PFQ744R1R11T1
0-400 psi/0-28 bar	PFQ817R1R11T1	PFQ917R1R11T1	PFQ125R1R11T1	PFQ177R1R11T1	PFQ715R1R11T1	PFQ745R1R11T1
0-600 psi/0-40 bar	PFQ808R1R11T1	PFQ908R1R11T1	PFQ126R1R11T1	PFQ178R1R11T1	PFQ716R1R11T1	PFQ746R1R11T1
0-1,000 psi/0-70 bar	PFQ809R1R11T1	PFQ909R1R11T1	PFQ127R1R11T1	PFQ179R1R11T1	PFQ724R1R11T1	PFQ192R1R11T1
0-1,500 psi/0-100 bar	PFQ816R1R11T1	PFQ914R1R11T1	PFQ128R1R11T1	PFQ180R1R11T1	PFQ725R1R11T1	PFQ241R1R11T1
0-2,000 psi/0-140 bar	PFQ810R1R11T1	PFQ910R1R11T1	PFQ129R1R11T1	PFQ181R1R11T1	PFQ726R1R11T1	PFQ242R1R11T1
0-3,000 psi/0-200 bar	PFQ811R1R11T1	PFQ911R1R11T1	PFQ137R1R11T1	PFQ182R1R11T1	PFQ727R1R11T1	PFQ243R1R11T1
0-5,000 psi/0-350 bar	PFQ812R1R11T1	PFQ912R1R11T1	PFQ138R1R11T1	PFQ183R1R11T1	PFQ728R1R11T1	PFQ244R1R11T1
0-6,000 psi/0-400 bar	PFQ814R1R11T1	PFQ915R1R11T1	PFQ139R1R11T1	PFQ184R1R11T1	PFQ4811R1R11	PFQ246R1R11T1
0-7,500 psi/0-500 bar	PFQ818R1R11T1	PFQ918R1R11T1	PFQ144R1R11T1	PFQ186R1R11T1	PFQ4812R1R11	PFQ247R1R11T1
0-10,000 psi/0-700 bar	PFQ813R1R11T1	PFQ913R1R11T1	PFQ145R1R11T1	PFQ190R1R11T1	PFQ729R1R11T1	PFQ360R1R11T1
0-15,000 psi/0-1000 bar	PFQ4809R1R11T1	PFQ4810R1R11T1	PFQ146R1R11T1	PFQ191R1R11T1	PFQ4813R1R11T1	PFQ361R1R11T1

Other ranges, connection sizes and thread types are available upon request. For other ranges and units, refer to How to Order Guide for scale codes on page 8. **For options, attach suffix to end of order code: i.e. PFQ816R1R11T1-DRY for DRY CASE.**

Option suffix:

- 25BF = 2.5" (63mm) Back Flange
- 25FF = 2.5" (63mm) Front Flange
- 25UC = 2.5" (63mm) U-Clamp
- 25DRY = Supply 2.5" gauge less liquid fill
- 4BF = 4" (100mm) Back Flange
- 4UC-P = 4" (100mm) U-Clamp
- 4FF = 4" (100mm) Front Flange
- 4UC-Q = 4" (100mm) U-Clamp
- DRY = Supply 4" gauge less liquid fill
- SF25 = Silicone fill
- SF4 = Silicone fill

Order Codes

Dial Size	4" (100mm)					
Connection	1/4" BSP(G) Bottom	1/4" BSP(G) Back (CB)	1/2" BSP(G) Bottom	1/2" BSP(G) Back (CB)	1/2" BSP(G) Bottom	1/2" BSP(G) Back (CB)
Movement, Socket, Tube	SS	SS	Brass	Brass	SS	SS
0/30" vac/-1-0 bar	PFQ760R1R11T1	PFQ1260R1R11T1	PFQ1234R1R11T1	PFQ1285R1R11T1	PFQ1535R1R11T1	PFQ1559R1R11T1
30"/0/15 psi/-1-1 bar	PFQ761R1R11T1	PFQ1261R1R11T1	PFQ1235R1R11T1	PFQ1286R1R11T1	PFQ1536R1R11T1	PFQ1560R1R11T1
30"/0/30 psi/-1-2 bar	PFQ762R1R11T1	PFQ1262R1R11T1	PFQ1236R1R11T1	PFQ1287R1R11T1	PFQ1537R1R11T1	PFQ1561R1R11T1
30"/0/60 psi/-1-4 bar	PFQ763R1R11T1	PFQ1263R1R11T1	PFQ1237R1R11T1	PFQ1288R1R11T1	PFQ1538R1R11T1	PFQ1562R1R11T1
30"/0/100 psi/-1-7 bar	PFQ764R1R11T1	PFQ1264R1R11T1	PFQ1238R1R11T1	PFQ1289R1R11T1	PFQ1539R1R11T1	PFQ1563R1R11T1
30"/0/150 psi/-1-10 bar	PFQ765R1R11T1	PFQ1265R1R11T1	PFQ1239R1R11T1	PFQ1290R1R11T1	PFQ1540R1R11T1	PFQ1564R1R11T1
30"/0/200 psi/-1-14 bar	PFQ766R1R11T1	PFQ1266R1R11T1	PFQ1240R1R11T1	PFQ1291R1R11T1	PFQ1541R1R11T1	PFQ1565R1R11T1
30"/0/300 psi/-1-20 bar	PFQ767R1R11T1	PFQ1267R1R11T1	PFQ1241R1R11T1	PFQ1292R1R11T1	PFQ1542R1R11T1	PFQ1566R1R11T1
0-15 psi/0-1 bar	PFQ768R1R11T1	PFQ1268R1R11T1	PFQ1242R1R11T1	PFQ1293R1R11T1	PFQ1543R1R11T1	PFQ1567R1R11T1
0-30 psi/0-2 bar	PFQ769R1R11T1	PFQ1269R1R11T1	PFQ1243R1R11T1	PFQ1294R1R11T1	PFQ1544R1R11T1	PFQ1568R1R11T1
0-60 psi/0-4 bar	PFQ770R1R11T1	PFQ1270R1R11T1	PFQ1244R1R11T1	PFQ1295R1R11T1	PFQ1545R1R11T1	PFQ1569R1R11T1
0-100 psi/0-7 bar	PFQ771R1R11T1	PFQ1271R1R11T1	PFQ1245R1R11T1	PFQ1296R1R11T1	PFQ1546R1R11T1	PFQ1570R1R11T1
0-160 psi/0-11 bar	PFQ772R1R11T1	PFQ1272R1R11T1	PFQ1246R1R11T1	PFQ1298R1R11T1	PFQ1547R1R11T1	PFQ1571R1R11T1
0-200 psi/0-14 bar	PFQ773R1R11T1	PFQ1273R1R11T1	PFQ1247R1R11T1	PFQ1524R1R11T1	PFQ1548R1R11T1	PFQ1572R1R11T1
0-300 psi/0-20 bar	PFQ774R1R11T1	PFQ1274R1R11T1	PFQ1248R1R11T1	PFQ1525R1R11T1	PFQ1549R1R11T1	PFQ1573R1R11T1
0-400 psi/0-28 bar	PFQ775R1R11T1	PFQ1275R1R11T1	PFQ1249R1R11T1	PFQ1526R1R11T1	PFQ1550R1R11T1	PFQ1574R1R11T1
0-600 psi/0-40 bar	PFQ776R1R11T1	PFQ1276R1R11T1	PFQ1250R1R11T1	PFQ1527R1R11T1	PFQ1551R1R11T1	PFQ1575R1R11T1
0-1,000 psi/0-70 bar	PFQ1528R1R11T1	PFQ1552R1R11T1	PFQ717R1R11T1	PFQ747R1R11T1	PFQ777R1R11T1	PFQ1277R1R11T1
0-1,500 psi/0-100 bar	PFQ1529R1R11T1	PFQ1553R1R11T1	PFQ718R1R11T1	PFQ748R1R11T1	PFQ778R1R11T1	PFQ1278R1R11T1
0-2,000 psi/0-140 bar	PFQ1530R1R11T1	PFQ1554R1R11T1	PFQ719R1R11T1	PFQ749R1R11T1	PFQ779R1R11T1	PFQ1279R1R11T1
0-3,000 psi/0-200 bar	PFQ1531R1R11T1	PFQ1555R1R11T1	PFQ720R1R11T1	PFQ750R1R11T1	PFQ780R1R11T1	PFQ1280R1R11T1
0-5,000 psi/0-350 bar	PFQ1532R1R11T1	PFQ1556R1R11T1	PFQ721R1R11T1	PFQ751R1R11T1	PFQ781R1R11T1	PFQ1281R1R11T1
0-6,000 psi/0-400 bar	PFQ4814R1R11T1	PFQ4816R1R11T1	PFQ784R1R11T1	PFQ785R1R11T1	PFQ789R1R11T1	PFQ1284R1R11T1
0-7,500 psi/0-500 bar	PFQ4815R1R11T1	PFQ4817R1R11T1	PFQ4818R1R11T1	PFQ4819R1R11T1	PFQ4820R1R11T1	PFQ4821R1R11T1
0-10,000 psi/0-700 bar	PFQ1533R1R11T1	PFQ1557R1R11T1	PFQ722R1R11T1	PFQ752R1R11T1	PFQ782R1R11T1	PFQ1282R1R11T1
0-15,000 psi/0-1000 bar	PFQ1534R1R11T1	PFQ1558R1R11T1	PFQ723R1R11T1	PFQ753R1R11T1	PFQ783R1R11T1	PFQ1283R1R11T1

Other ranges, connection sizes and thread types are available upon request. For other ranges and units, refer to How to Order Guide for scale codes on page 8. **For options, attach suffix to end of order code: i.e. PFQ772R1R11T1-SF4 for Silicone Fill.**

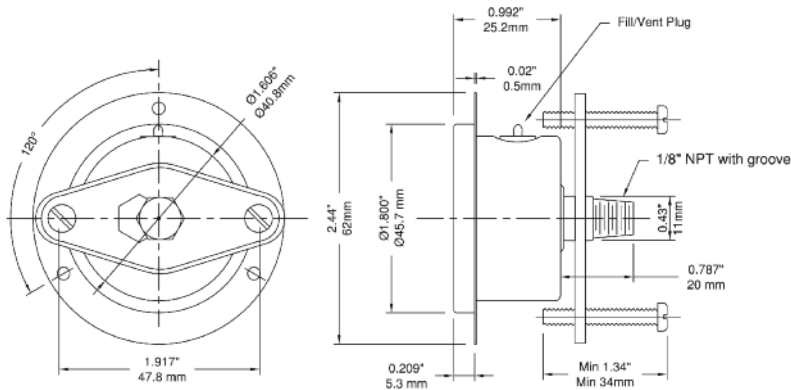
Option suffix:

4BF = 4" (100mm) Back Flange
4FF = 4" (100mm) Front Flange

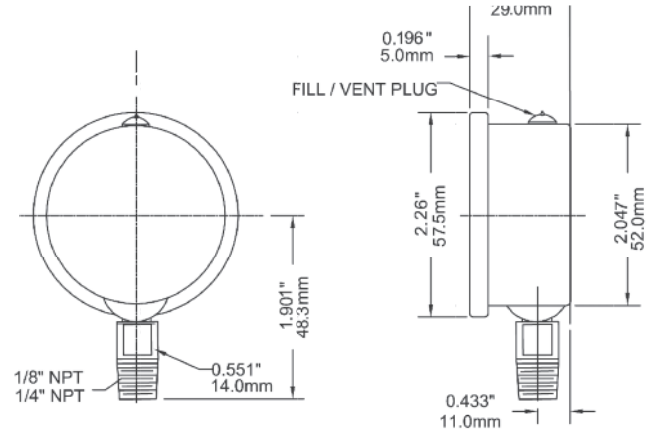
4UC-P = 4" (100mm) U-Clamp
4UC-Q = 4" (100mm) U-Clamp

DRY = Supply 4" gauge less liquid fill
SF4 = Silicone fill

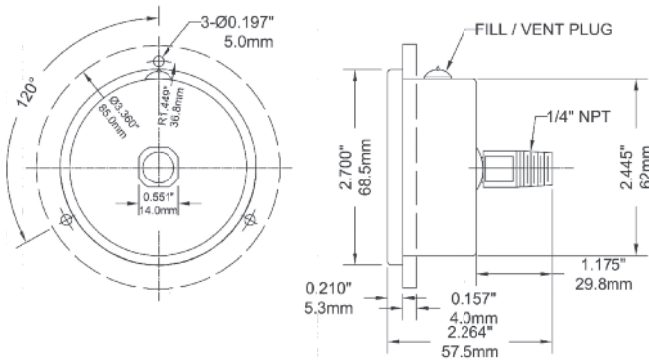
1.5" Back Connection with Front Flange and U-Clamp



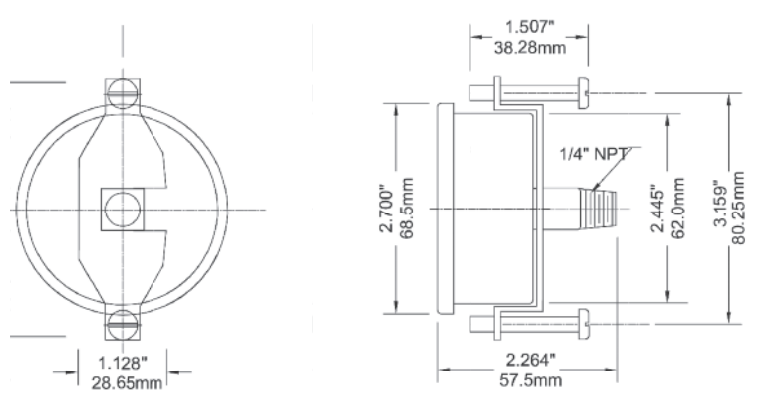
2" Bottom Connection



2.5" Back Connection with Front Flange



2.5" Back Connection with U-Clamp



4" Back Connection with Front Flange

