



Description & Features:

- Most economical, all-purpose pressure gauge
- 1.5" (40mm) to 4" (100mm) sizes
- Friction bezel rings
- Black steel case
- Brass internals
- $\pm 3-2-3\%$ accuracy
- CRN registered
- 5 year warranty

Applications:

- Plumbing, heating, air conditioning, pneumatic, hydraulic, water tanks, air compressors, OEM

Specifications

Specifications	
Dial	1.5" (40mm), 2" (50mm), 2.5" (63mm), 4" (100mm) white aluminum with black and red markings
Case	Steel, painted black (plastic available)
Lens	1.5" (40mm), 2" (50mm), 2.5" (63mm): Acrylic 4" (100mm): Glass
Ring	1.5" (40mm), 2" (50mm): Steel, painted black 2.5" (63mm), 4" (100mm): Steel, chrome plated
Socket	Brass
Connection	$\frac{1}{8}$ " NPT or $\frac{1}{4}$ " NPT standard (other thread types are available)
Bourdon Tube	Phosphor bronze
Movement	Brass
Pointer	Aluminum, black
Welding	Silver alloy
Over-Pressure Limit	25% of full scale value
Working Pressure	Maximum 75% of full scale value
Ambient/Process Temperature	-40°F to 150°F (-40°C to 65°C)
Accuracy	$\pm 3-2-3\%$ ANSI/ASME Grade B
Enclosure Rating	IP52

Order Codes

Dial Size	1.5" (40mm)		2" (50mm)			
Connection	1/8" NPT Bottom	1/8" NPT Centre Back	1/8" NPT Centre Back	1/4" NPT Centre Back	1/8" NPT Bottom	1/4" NPT Bottom
Case Material	Steel	Steel	Steel	Steel	Steel	Steel
0/30" vac/-1-0 bar	PEM1297R1R11	PEM1397R1R11	PEM1424R1R11	PEM1428R1R11	PEM195R1R11	PEM135R1R11
30"/0/15 psi/-1-1 bar	-	-	-	-	-	-
30"/0/30 psi/-1-2 bar	-	-	-	-	-	-
30"/0/60 psi/-1-4 bar	-	-	-	-	-	-
30"/0/100 psi/-1-7 bar	-	-	-	-	-	-
0 - 15 psi/0-1 bar	PEM1299R1R11	PEM1399R1R11	PEM1425R1R11	PEM1429R1R11	PEM196R1R11	PEM136R1R11
0 - 30 psi/0-2 bar	PEM1300R1R11	PEM1400R1R11	PEM1402R1R11	PEM1403R1R11	PEM206R1R11	PEM199R1R11
0 - 60 psi/0-4 bar	PEM1301R1R11	PEM1401R1R11	PEM1404R1R11	PEM1405R1R11	PEM207R1R11	PEM201R1R11
0 - 100 psi/0-7 bar	PEM1320R1R11	PEM1420R1R11	PEM1406R1R11	PEM1407R1R11	PEM208R1R11	PEM202R1R11
0 - 160 psi/0-11 bar	PEM1321R1R11	PEM1421R1R11	PEM1408R1R11	PEM1409R1R11	PEM197R1R11	PEM203R1R11
0 - 200 psi/0-14 bar	PEM1322R1R11	PEM1422R1R11	PEM1426R1R11	PEM1410R1R11	PEM209R1R11	PEM204R1R11
0 - 300 psi/0-20 bar	PEM1323R1R11	PEM1423R1R11	PEM1427R1R11	PEM1411R1R11	PEM198R1R11	PEM205R1R11
0 - 400 psi/0-28 bar	-	-	-	PEM1414R1R11	-	-
0 - 600 psi/0-40 bar	-	-	-	PEM1412R1R11	-	-
0 - 1,000 psi/0-70 bar	-	-	-	-	-	-
0 - 3,000 psi/0-200 bar	-	-	-	-	-	-
0 - 5,000 psi/0-350 bar	-	-	-	-	-	-
0 - 6,000 psi/0-400 bar	PEM1324R1R11	PEM1446R1R11	PEM1447R1R11	PEM1413R1R11	PEM227R1R11	PEM228R1R11

Other ranges, connection sizes and thread types are available upon request. For other ranges and units, refer to How to Order Guide for scale codes on page 8. Lead free construction available. **For options, attach suffix to end of order code: i.e. PEM1399R1R11-GL15 for 1.5" GLASS LENS.**

Option suffix:

GL15 = glass lens for 1.5" dial

GL2= glass lens for 2" dial

ECASE15SSBK = 1.5" SS back case connection

ECASE15SSBTM = 1.5" SS bottom connection

ECASE20SSBK = 2" SS Case back connection

ECASE20SSBTM = 2" SS Case bottom connection

Note: For 1.5" to 2" SS internals, please see PRL Series Regulator Gauges.

Order Codes

Dial Size	2.5" (63mm)			
Connection	$\frac{1}{4}''$ NPT Centre Back	$\frac{1}{4}''$ BSP(G) Centre Back	$\frac{1}{4}''$ NPT Bottom	$\frac{1}{4}''$ BSP(G) Bottom
Case Material	Steel	Steel	Steel	Steel
0/30" vac/-1-0 bar	PEM1431R1R11	PEM1431R1R11T1	PEM210R1R11	PEM210R1R11T1
30"/0/15 psi/-1-1 bar	PEM4951R1R11	PEM1432R1R11T1	PEM152R1R11	PEM152R1R11T1
30"/0/30 psi/-1-2 bar	PEM4952R1R11	PEM1433R1R11T1	PEM153R1R11	PEM153R1R11T1
30"/0/60 psi/-1-4 bar	PEM4953R1R11	PEM1434R1R11T1	PEM154R1R11	PEM154R1R11T1
30"/0-100 psi/-1-7 bar	PEM4954R1R11	PEM1435R1R11T1	PEM155R1R11	PEM155R1R11T1
0 - 15 psi/0-1 bar	PEM1436R1R11	PEM1436R1R11T1	PEM211R1R11	PEM211R1R11T1
0 - 30 psi/0-2 bar	PEM1437R1R11	PEM1437R1R11T1	PEM212R1R11	PEM212R1R11T1
0 - 60 psi/0-4 bar	PEM1438R1R11	PEM1438R1R11T1	PEM213R1R11	PEM213R1R11T1
0 - 100 psi/0-7 bar	PEM1439R1R11	PEM1439R1R11T1	PEM214R1R11	PEM214R1R11T1
0 - 160 psi/0-11 bar	PEM1440R1R11	PEM1440R1R11T1	PEM215R1R11	PEM215R1R11T1
0 - 200 psi/0-14 bar	PEM1441R1R11	PEM1441R1R11T1	PEM216R1R11	PEM216R1R11T1
0 - 300 psi/0-20 bar	PEM1442R1R11	PEM1442R1R11T1	PEM217R1R11	PEM217R1R11T1
0 - 400 psi/0-28 bar	PEM4955R1R11	PEM1449R1R11T1	PEM219R1R11	PEM219R1R11T1
0 - 600 psi/0-40 bar	PEM3413R1R11	PEM3413R1R11T1	PEM218R1R11	PEM218R1R11T1
0 - 1,000 psi/0-70 bar	PEM4956R1R11	PEM1450R1R11T1	PEM290R1R11	PEM290R1R11T1
0 - 3,000 psi/0-200 bar	PEM4957R1R11	PEM1451R1R11T1	PEM291R1R11	PEM291R1R11T1
0 - 5,000 psi/0-350 bar	PEM4958R1R11	PEM1452R1R11T1	PEM292R1R11	PEM292R1R11T1
0 - 6,000 psi/0-400 bar	PEM1446R1R11T1	PEM1446R1R11T1	PEM293R1R11	PEM293R1R11T1
0 - 7,500 psi/0-500 bar	PEM1447R1R11T1	PEM1447R1R11T1	PEM294R1R11	PEM294R1R11T1
0 - 10,000 psi/0-700 bar	PEM1448R1R11T1	PEM1448R1R11T1	PEM295R1R11	PEM295R1R11T1

Other ranges, connection sizes and thread types are available upon request. For other ranges and units, refer to How to Order Guide for scale codes on page 8. Lead free construction available. **For options, attach suffix to end of order code: i.e. PEM1431R1R11-GL25 for 2.5" GLASS LENS.**

Option suffix:

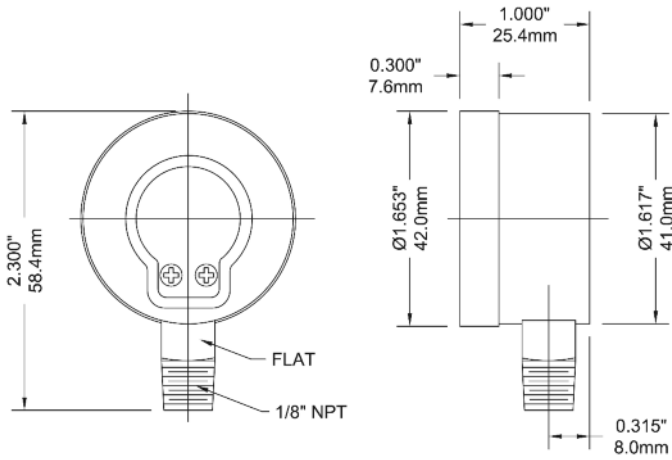
GL25 = glass lens for 2.5" dial

Order Codes

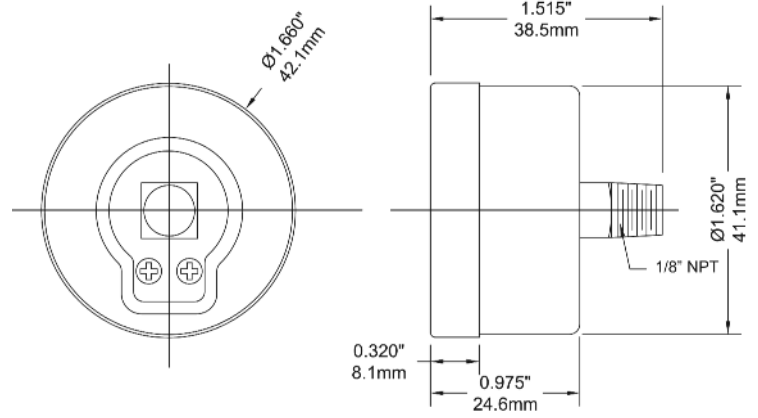
Dial Size	4" (100mm)			
Connection	¹ / ₄ " NPT Bottom	¹ / ₄ " BSP(G) Bottom	¹ / ₂ " NPT Bottom	¹ / ₂ " BSP(G) Bottom
Case Material	Steel	Steel	Steel	Steel
0/30" vac/-1-0 bar	PEM220R1R11	PEM220R1R11T1	PEM240R1R11	PEM240R1R11T1
30"/0/15 psi/-1-1 bar	PEM4959R1R11	PEM227R1R11T1	PEM241R1R11	PEM241R1R11T1
30"/0/30 psi/-1-2 bar	PEM4960R1R11	PEM228R1R11T1	PEM242R1R11	PEM242R1R11T1
30"/0/60 psi/-1-4 bar	PEM4961R1R11	PEM229R1R11T1	PEM243R1R11	PEM243R1R11T1
30"/0/100 psi/-1-7 bar	PEM4962R1R11	PEM230R1R11T1	PEM244R1R11	PEM244R1R11T1
0 - 15 psi/0-1 bar	PEM4963R1R11	PEM231R1R11T1	PEM246R1R11	PEM246R1R11T1
0 - 30 psi/0-2 bar	PEM221R1R11	PEM221R1R11T1	PEM247R1R11	PEM247R1R11T1
0 - 60 psi/0-4 bar	PEM222R1R11	PEM222R1R11T1	PEM248R1R11	PEM248R1R11T1
0 - 100 psi/0-7 bar	PEM223R1R11	PEM223R1R11T1	PEM249R1R11	PEM249R1R11T1
0 - 160 psi/0-11 bar	PEM224R1R11	PEM224R1R11T1	PEM250R1R11	PEM250R1R11T1
0 - 200 psi/0-14 bar	PEM225R1R11	PEM225R1R11T1	PEM251R1R11	PEM251R1R11T1
0 - 300 psi/0-20 bar	PEM226R1R11	PEM226R1R11T1	PEM252R1R11	PEM252R1R11T1
0 - 400 psi/0-28 bar	PEM4964R1R11	PEM232R1R11T1	PEM253R1R11	PEM253R1R11T1
0 - 600 psi/0-40 bar	PEM4965R1R11	PEM233R1R11T1	PEM254R1R11	PEM254R1R11T1
0 - 1,000 psi/0-70 bar	PEM4966R1R11	PEM234R1R11T1	PEM255R1R11	PEM255R1R11T1
0 - 3,000 psi/0-200 bar	PEM4967R1R11	PEM235R1R11T1	PEM256R1R11	PEM256R1R11T1
0 - 5,000 psi/0-350 bar	PEM4968R1R11	PEM236R1R11T1	PEM257R1R11	PEM257R1R11T1
0 - 6,000 psi/0-400 bar	PEM237R1R11	PEM237R1R11T1	PEM258R1R11	PEM258R1R11T1
0 - 7,500 psi/0-500 bar	PEM238R1R11	PEM238R1R11T1	PEM259R1R11	PEM259R1R11T1
0 - 10,000 psi/0-700 bar	PEM239R1R11	PEM239R1R11T1	PEM260R1R11	PEM260R1R11T1

Other ranges, connection sizes and thread types are available upon request. For other ranges and units, refer to How to Order Guide for scale codes on page 8. Lead free construction available.

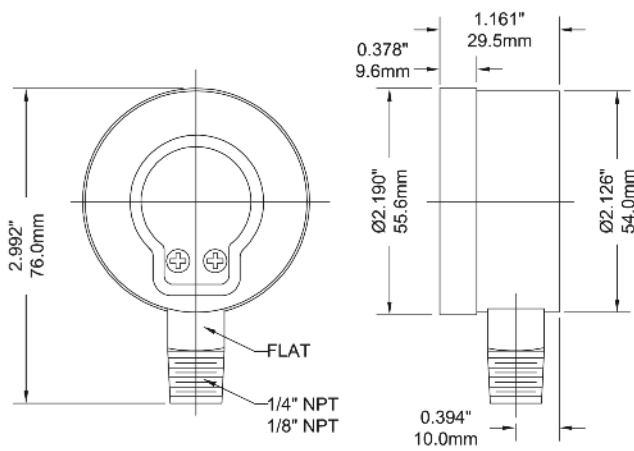
1.5" Bottom Connection



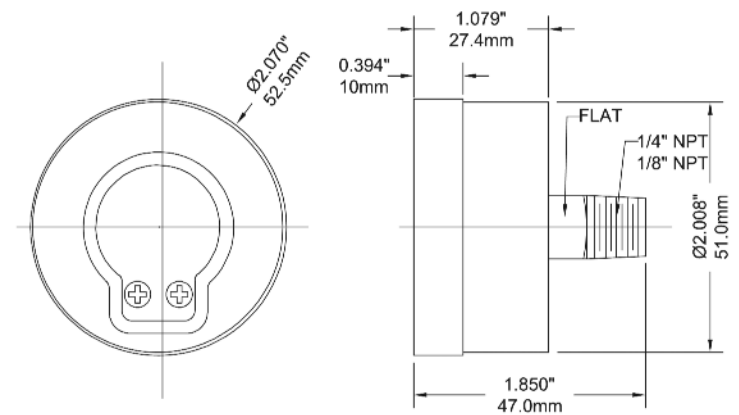
1.5" Back Connection



2" Bottom Connection

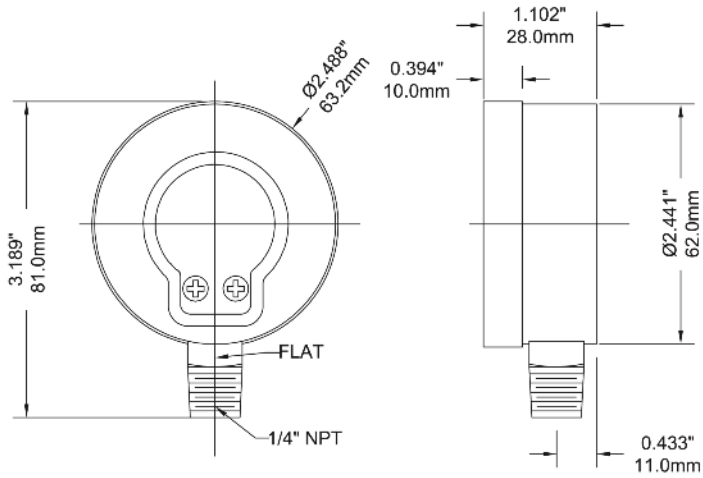


2" Back Connection

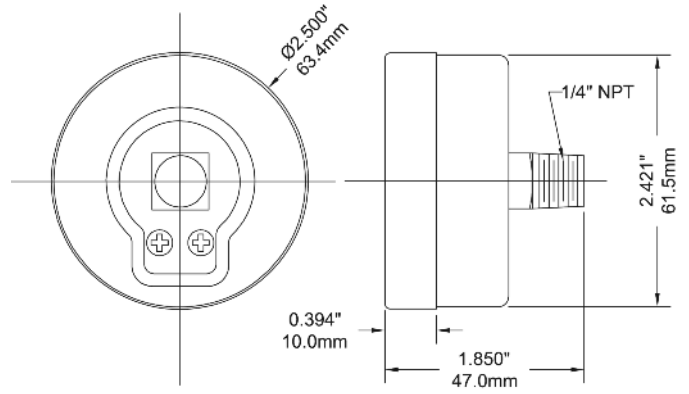


Gauges

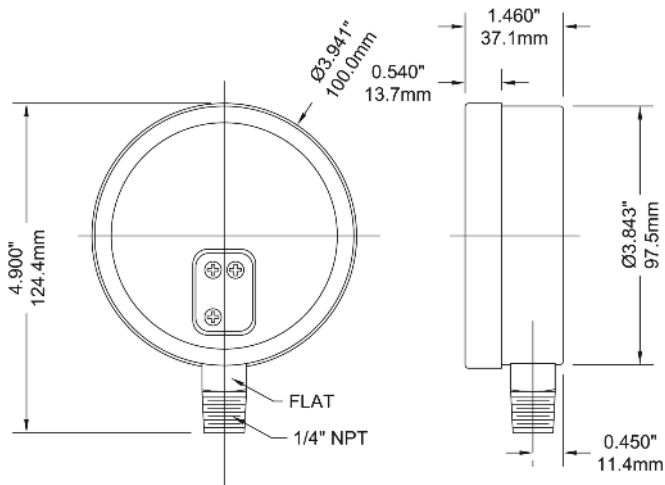
2.5" Bottom Connection



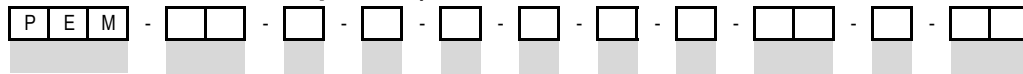
2.5" Back Connection



4" Bottom Connection



Series Number (for custom, non-standard product)



SERIES

DIAL SIZE

- 1.5" (40mm)
- 2.0" (50mm)
- 2.5" (63mm)
- 4.0" (100mm)

CASE MATERIALS

- 304SS
- Plastic
- Steel Painted Black

WETTED PARTS

- Brass
- 316SS
- 304SS
- Special

CONFIGURATION

- Bottom Connection, Stem Mounting
- Bottom Connection, Back Flange, Surface Mounting
- Back Connection, Stem Mounting
- Back Connection, Back Flange, Surface Mounting
- Back Connection, Wide Front Flange, (Drilled) Panel Mounting
- Special

CONNECTION SIZE

- 1/8"
- 1/4"
- 3/8"
- 1/2"
- Special

THREAD

- NPT
- BSP (G)
- BSPT (R)
- M14 x 1.5
- M20 x 1.5
- Special

PRIMARY SCALE

UNITS - See Page 8

RANGE - See Page 8

SECONDARY SCALE

UNITS - See Page 8

OPTIONS

- Black Rubber Boot
- Maximum Adjustable Pointer
- Oxygen Cleaning
- Stainless Steel Tag Plate
- Test Certificate
- No Options

T
P
Y

B
S
A
Z

A
B
D
E
F
Z

8
4
3
2
Z

N
B
T
F
M
Z

S Z
S J
S L
S M
S O
X X