



1. Optional Hinged Case
2. Optional Flush Mounting Ring



Note: RoHS applies only to SS and Monel® internals version

Description & Features:

- Field liquid-fillable, phenolic solid front blowout back safety case
- ±0.5% accuracy
- Stainless steel full rotary movement for longer life
- Micrometer pointer for ease in calibration
- Under and overload stops
- 316L stainless steel, brass or Monel® wetted parts
- Restrictor screws standard
- CRN registered
- 5 year warranty

Applications:

- Used where operator safety is a must
- Ideally suited for process, chemical and petroleum industries
- Highly corrosive media (316L and Monel® wetted parts only)

Specifications	Stainless Steel Internals	Brass Internals
Dial	4.5" (115mm) white aluminum with black and red markings	4.5" (115mm) white aluminum with black and red markings
Case	Black phenolic with safety blowout back, solid front, integral back flange	Black phenolic with safety blowout back, solid front, integral back flange
Solid Wall	Phenolic	Phenolic
Lens	Polycarbonate	Polycarbonate
Ring	Phenolic	Phenolic
Pointer	Aluminum, anodized black, micrometer adjustable	Aluminum, anodized black, micrometer adjustable
Socket	316L SS	OT 58 brass
Connection	1/4" NPT or 1/2" NPT standard, bottom (other thread types are available)	1/4" NPT or 1/2" NPT standard, bottom, (other thread types are available)
Bourdon Tube	316L SS, drawn seamless	Phosphor bronze
Movement	304 SS with over/under stops	304 SS with over/under stops
Gasket Materials	Buna N (Silicone rubber option)	Buna N (Silicone rubber option)
Welding	TIG	Silver alloy
Over-pressure Limit	25% for pressures up to 1,500 psi/bar, 15% for pressures 1501 to 8,700 psi/bar, 10% for pressures above 8,701 psi/bar	25% for pressures up to 1,500 psi/bar, 15% for pressures 1501 to 8,700 psi/bar, 10% for pressures above 8,701 psi/bar
Working Pressure	Maximum 75% of full scale value	Maximum 75% of full scale value
Ambient/Process Temperature	-40°F to 200°F (-40°C to 93°C) dry / -4°F to 150°F (-20°C to 65°C) glycerin-filled	-40°F to 200°F (-40°C to 93°C) dry / -4°F to 150°F (-20°C to 65°C) glycerin-filled
Accuracy	±0.5% ANSI/ASME Grade 2A	±0.5% ANSI/ASME Grade 2A
Enclosure Rating	IP65	IP65

Monel® is a registered trademark of Inco Alloys International

Order Codes

Connection	1/4" Bottom	1/4" Back (LB)	1/2" Bottom	1/2" Back (LB)
Socket, Tube	SS	SS	SS	SS
0/30" vac/-1-0 bar	PPC5040R1R11	PPC5340R1R11	PPC5060R1R11	PPC5460R1R11
30"/0/15 psi/-1-1 bar	PPC5130R1R11	PPC5330R1R11	PPC5140R1R11	PPC5440R1R11
30"/0/30 psi/-1-2 bar	PPC5131R1R11	PPC5331R1R11	PPC5141R1R11	PPC5441R1R11
30"/0/60 psi/-1-4 bar	PPC5132R1R11	PPC5332R1R11	PPC5142R1R11	PPC5442R1R11
30"/0/100 psi/-1-7 bar	PPC5133R1R11	PPC5333R1R11	PPC5143R1R11	PPC5443R1R11
30"/0/160 psi/-1-11 bar	PPC5134R1R11	PPC5334R1R11	PPC5144R1R11	PPC5444R1R11
30"/0/230 psi/-1-16 bar	PPC5137R1R11	PPC5337R1R11	PPC5147R1R11	PPC5447R1R11
30"/0/300 psi/-1-20 bar	PPC5136R1R11	PPC5336R1R11	PPC5146R1R11	PPC5446R1R11
0-15 psi/0-1 bar	PPC5041R1R11	PPC5341R1R11	PPC5061R1R11	PPC5461R1R11
0-30 psi/0-2 bar	PPC5042R1R11	PPC5342R1R11	PPC5062R1R11	PPC5462R1R11
0-60 psi/0-4 bar	PPC5043R1R11	PPC5343R1R11	PPC5063R1R11	PPC5463R1R11
0-100 psi/0-7 bar	PPC5044R1R11	PPC5344R1R11	PPC5064R1R11	PPC5464R1R11
0-160 psi/0-11 bar	PPC5045R1R11	PPC5345R1R11	PPC5065R1R11	PPC5465R1R11
0-230 psi/0-16 bar	PPC5059R1R11	PPC5359R1R11	PPC5079R1R11	PPC5479R1R11
0-300 psi/0-20 bar	PPC5047R1R11	PPC5347R1R11	PPC5067R1R11	PPC5467R1R11
0-400 psi/0-28 bar	PPC5048R1R11	PPC5348R1R11	PPC5068R1R11	PPC5468R1R11
0-600 psi/0-40 bar	PPC5049R1R11	PPC5349R1R11	PPC5069R1R11	PPC5469R1R11
0-800 psi/0-60 bar	PPC5058R1R11	PPC5358R1R11	PPC5078R1R11	PPC5478R1R11
0-1,000 psi/0-70 bar	PPC5050R1R11	PPC5350R1R11	PPC5070R1R11	PPC5470R1R11
0-1,500 psi/0-100 bar	PPC5051R1R11	PPC5351R1R11	PPC5071R1R11	PPC5471R1R11
0-2,000 psi/0-140 bar	PPC5052R1R11	PPC5352R1R11	PPC5072R1R11	PPC5472R1R11
0-3,000 psi/0-200 bar	PPC5053R1R11	PPC5353R1R11	PPC5073R1R11	PPC5473R1R11
0-5,000 psi/0-350 bar	PPC5054R1R11	PPC5354R1R11	PPC5074R1R11	PPC5474R1R11
0-10,000 psi/0-700 bar	PPC5055R1R11	PPC5355R1R11	PPC5075R1R11	PPC5475R1R11
0-15,000 psi/0-1,000 bar	PPC5056R1R11	PPC5356R1R11	PPC5076R1R11	PPC5476R1R11
0-20,000 psi/0-1,400 bar	PPC5057R1R11	PPC5357R1R11	PPC5077R1R11	PPC5477R1R11

Other ranges, connection sizes and thread types are available upon request. For other ranges and units, refer to How to Order Guide for scale codes on page 8.

Option suffix:

- 6HCS = 6" Solid front hinged case (back connection only)
- FMR = Flush mounting ring
- G = Glycerin (bottom connection only)
- HCSF = Solid front hinged case (back connection only)
- MS = Monel® tube and socket
- SG-45 = Safety glass
- SF45 = Silicone fill (bottom connection only)
- REST = Restrictor Screw

Order Codes

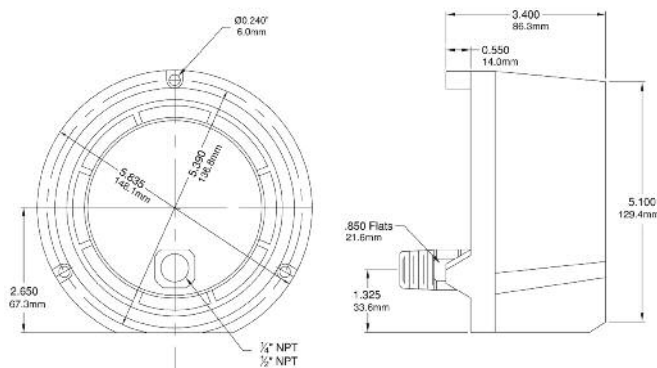
Connection	1/4" Bottom	1/4" Back (LB)	1/2" Bottom	1/2" Back (LB)
Socket, Tube	Brass	Brass	Brass	Brass
0/30" vac/-1-0 bar	PPC5080R1R11	PPC5280R1R11	PPC4836R1R11	PPC4853R1R11
30"/0/15 psi/-1-1 bar	PPC5120R1R11	PPC5220R1R11	PPC4837R1R11	PPC4854R1R11
30"/0/30 psi/-1-2 bar	PPC5121R1R11	PPC5221R1R11	PPC4838R1R11	PPC4855R1R11
30"/0/60 psi/-1-4 bar	PPC5122R1R11	PPC5222R1R11	PPC4839R1R11	PPC4856R1R11
30"/0/100 psi/-1-7 bar	PPC5123R1R11	PPC5223R1R11	PPC4840R1R11	PPC4857R1R11
30"/0/160 psi/-1-11 bar	PPC5124R1R11	PPC5224R1R11	PPC4841R1R11	PPC4858R1R11
30"/0/230 psi/-1-16 bar	PPC5127R1R11	PPC5227R1R11	PPC4842R1R11	PPC4859R1R11
30"/0/300 psi/-1-20 bar	PPC5126R1R11	PPC5226R1R11	PPC4843R1R11	PPC4860R1R11
0-15 psi/0-1 bar	PPC5081R1R11	PPC5281R1R11	PPC4844R1R11	PPC4861R1R11
0-30 psi/0-2 bar	PPC5082R1R11	PPC5282R1R11	PPC4845R1R11	PPC4862R1R11
0-60 psi/0-4 bar	PPC5083R1R11	PPC5283R1R11	PPC4846R1R11	PPC4863R1R11
0-100 psi/0-7 bar	PPC5084R1R11	PPC5284R1R11	PPC4847R1R11	PPC4864R1R11
0-160 psi/0-11 bar	PPC5085R1R11	PPC5285R1R11	PPC4848R1R11	PPC4865R1R11
0-230 psi/0-16 bar	PPC5100R1R11	PPC5228R1R11	PPC4849R1R11	PPC4866R1R11
0-300 psi/0-20 bar	PPC5087R1R11	PPC5287R1R11	PPC4850R1R11	PPC4867R1R11
0-400 psi/0-28 bar	PPC5088R1R11	PPC5288R1R11	PPC4851R1R11	PPC4868R1R11
0-600 psi/0-40 bar	PPC5089R1R11	PPC5289R1R11	PPC4852R1R11	PPC4869R1R11
0-800 psi/0-60 bar	PPC5099R1R11	PPC5299R1R11	PPC5188R1R11	PPC5198R1R11
0-1,000 psi/0-70 bar	PPC5098R1R11	PPC5298R1R11	PPC5090R1R11	PPC5290R1R11
0-1,500 psi/0-100 bar	PPC4822R1R11	PPC4829R1R11	PPC5091R1R11	PPC5291R1R11
0-2,000 psi/0-140 bar	PPC4823R1R11	PPC4830R1R11	PPC5092R1R11	PPC5292R1R11
0-3,000 psi/0-200 bar	PPC4824R1R11	PPC4831R1R11	PPC5093R1R11	PPC5293R1R11
0-5,000 psi/0-350 bar	PPC4825R1R11	PPC4832R1R11	PPC5094R1R11	PPC5294R1R11
0-10,000 psi/0-700 bar	PPC4826R1R11	PPC4833R1R11	PPC5095R1R11	PPC5295R1R11
0-15,000 psi/0-1,000 bar	PPC4827R1R11	PPC4834R1R11	PPC5096R1R11	PPC5296R1R11
0-20,000 psi/0-1,400 bar	PPC4828R1R11	PPC4835R1R11	PPC5097R1R11	PPC5297R1R11

Option suffix:

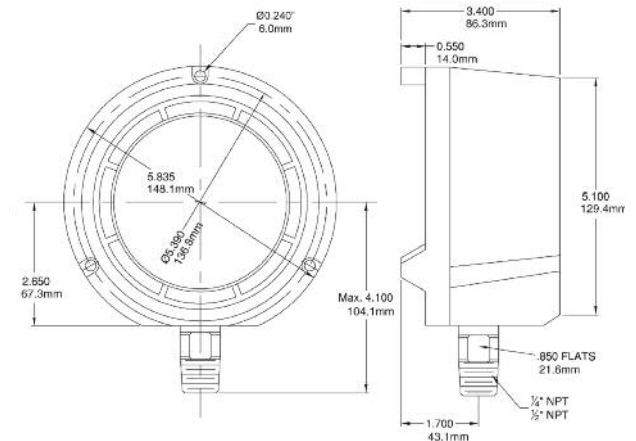
- 6HCS = 6" Solid front hinged case (back connection only)
- FMR = Flush mounting ring
- G = Glycerin (bottom connection only)
- HCSF = Solid front hinged case (back connection only)
- MS = Monel® tube and socket
- SG-45 = Safety glass
- SF45 = Silicone fill (bottom connection only)
- REST = Restrictor Screw

Other ranges, connection sizes and thread types are available upon request. For other ranges and units, refer to How to Order Guide for scale codes on page 8.

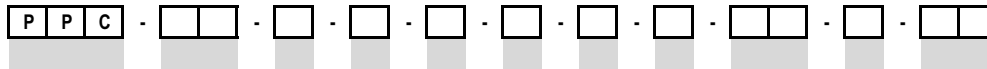
4.5" Back Connection



4.5" Bottom Connection



Series Number (for custom, non-standard product)



SERES											
DAL. SZE											
4.5" (115mm)		4	5								
CASE MATERIALS											
Phenolic				F							
WETTED PARTS											
Brass											
316SS											
Monel											
Special											
CONFIGURATON											
Bottom Connection, Back Flange, Surface Mounting											
Back Connection, Back Flange, Surface Mounting											
Special											
CONNECTION SZE											
1/4"											
1/2"											
THREAD											
NPT											
BSP (G)											
BSPT (R)											
Special											
PRIMARY SCALE											
UNITS - See Page 8											
RANGE - See Page 8											
SECONDARY SCALE											
UNITS - See Page 8											
OPTIONS											
Fluorolube Filled (only available in bottom connection gauges)											S R
Flush Mounting Ring											S P
Glycerin Filled (only available in bottom connection gauges)											S E
Halocarbon Filled (only available in bottom connection gauges)											S Q
Hinged Case											S T
Maximum Adjustable Pointer (not available with safety glass)											S □
Monel Socket and Tube											S W
NACE-MR0175-2002											S 5
Oxygen Cleaning											S L
Silicone Filled (only available in bottom connection gauges)											S D
Safety Glass											S A
Stainless Steel Tag Plate											S M
Stabilizer Movement											S 3
Test Certificate											S O
Glycerin Filled Safety Glass (only available in bottom connection gauges)											D K
Glycerin/Water Filled (only available in bottom connection gauges)											S F
Safety Glass Hinged Case											D □
Safety Glass Monel Socket and Tube											D O
Hinged Case Monel Socket and Tube											D R
No Options											X X

Gauges